

Clip-on gasket all shapes



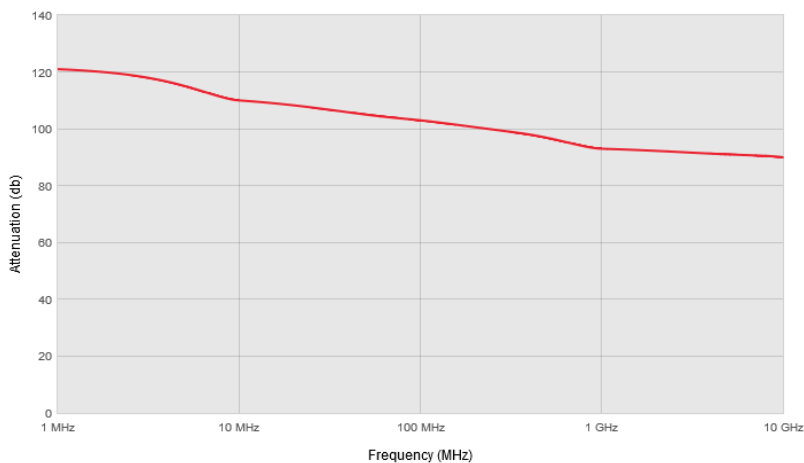
Clip-on gasket all shapes 6500

Clip-on EMI/RFI shielding gaskets with water seal. The gasket is very flexible due to the hollow rubber, ensuring a low closure force.

This easily mounted clip-on gasket is composed of two layers: a sponge rubber water seal, and an EMI-shielding side of highly conductive, wear-resistant metalized fabric. The gasket is very flexible due to the hollow rubber, ensuring a low closure force. The gasket is assembled without tools, simply by manually pressing the section onto the metal flange of your enclosure. Different sizes are available on request. The gasket can be bent in either direction (it can not be bent into a right angle, but it can form a rounded corner with a very small radius). Temperature ranges from -40 to +110 °C. A flame retardant version (UL94 V0) is also available.

Shielding performance

Shielding effectiveness depends on the surface, the shape of the gasket, and the materials used.



■ 6500 series Clip-on gaskets

Please note: These values are measured under laboratory conditions. Results may vary in other situations; please read our Guarantee.

Temperature resistance

An EPDM core with an operating temperature up to 100 °C and good resistance to UV, water, and acids make the clip-on shielding gaskets the right choice for outdoor applications.

Applications

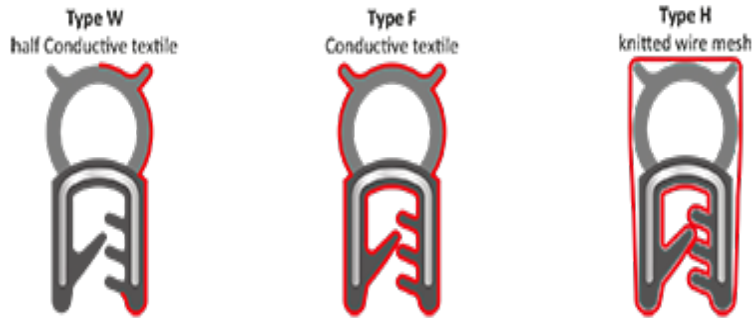
Special shapes and materials excel in dynamic or high cycling applications such as Faraday cage doors or access panels with low compression rates and very limited compression set.

Available versions

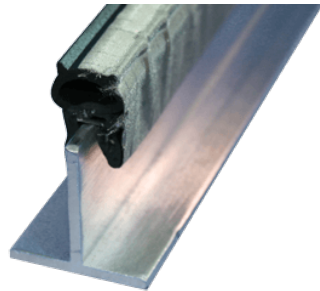
The clip-on range comes in three flavors:

Clip-on gasket all shapes

- Type W series (Clip-on shielding gasket with water seal)
- Type F series (Fully wrapped EMI/RFI-shielding gasket)
- Type H series (For heavy-duty applications, for example, military)

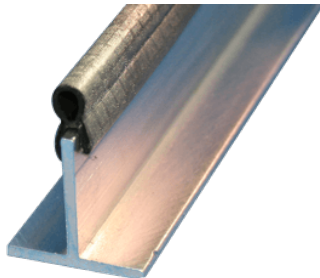


Type W series
(Clip-on shielding gasket with water seal)



The type W clip-on gasket series has been specially designed to provide environmental (water) sealing as well as EMI shielding for outdoor electronics and telecom cabinet manufacturers. The conductive textile is wrapped around one half of the gasket, dividing it into two parts: one part for electrical conductance and EMI shielding (made of highly conductive textile), and the other part for water sealing. The half-wrapped conductive textile provides over 96 dB of broadband noise attenuation which is crucial for mid- to high-range shielding applications.

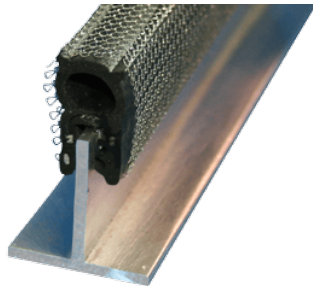
Type F series
(Fully wrapped EMI/RFI-shielding gasket)



The type-F clip-on gasket series has been specially designed to provide both EMI shielding and electrical conductivity. The conductive textile is wrapped around the entire gasket, resulting in higher shielding performance than type W (half-wrapped version) - only at the expense of water resistance.


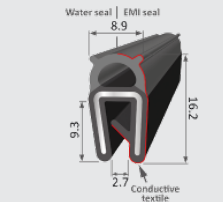
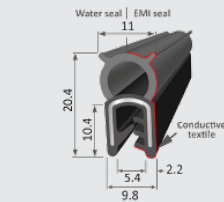
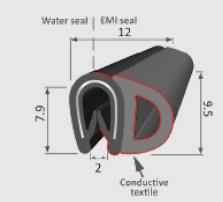
Type H series
(For heavy-duty applications, for example, military)

Clip-on gasket all shapes



The type H clip-on gasket series has been specially designed for heavy-duty applications; in addition to EMI shielding, it also provides low-frequency magnetic shielding. The type H series is covered with highly conductive metal cladding that is outdoor proof and suited for harsh environments, making this gasket type suitable for military, medical and all other applications where high demands are made on the EMI shielding in the magnetic low-frequency area.

Standard versions

				
Partnumber	6580	6585	6590	6595
Available types	W, F, H	W, F, H	W, F, H	W, F, H
Clamping range	1-4 mm	0.5-2 mm	1-3 mm	1-3 mm
Core material	PVC	PVC	PVC	PVC

Conductive flexible edge protector

The gasket is designed to slide easily over metal flanges to help reduce installation costs and is a good choice for retrofit applications.

Applications

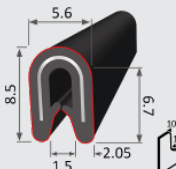
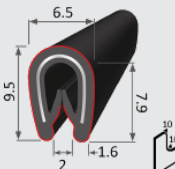
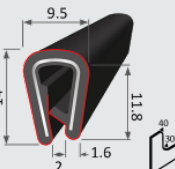
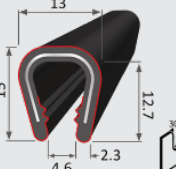
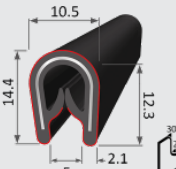
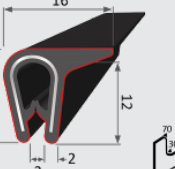
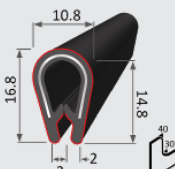
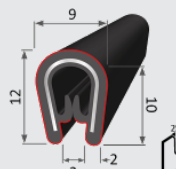
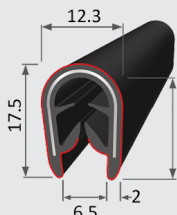
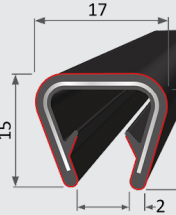
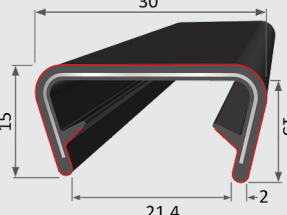
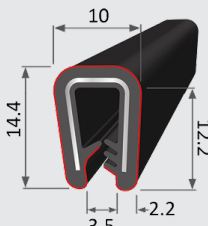
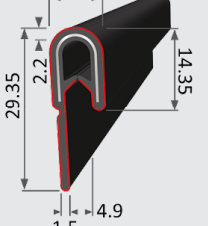
- Connecting plates
- ESD (static discharge)
- EMI shielding

Benefits

- Easy gasket installation
- Resistance to heat, humidity, salt fog, corrosion and rain

* The red line is an indication of the conductive layer.

Clip-on gasket all shapes

				
Partnumber	6501	6502	6503	6504
Available types	F, H	F, H	F, H	F, H
Clamping range	1 mm	1-2 mm	1-3 mm	6-8 mm
Core material	PVC	PVC	PVC	PVC
				
Partnumber	6505	6506	6507	6508
Available types	F, H	F, H	F, H	F, H
Clamping range	1-4 mm	1-3 mm	1-4 mm	1-3 mm
Core material	PVC	PVC	PVC	PVC
				
Partnumber	6509	6510	6512	
Available types	F, H	F, H	F, H	
Clamping range	4-6 mm	9-12 mm	18-20 mm	
Core material	PVC	PVC	PVC	
				
Partnumber	6513	6514		
Available types	F, H	F, H		
Clamping range	1-2 mm	2-3 mm		
Core material	PVC	PVC		

Clip-on gasket all shapes

Sealing section

This combination of materials decreases the number of gaskets needed per cabinet. This makes the sealing section an economic solution for application where an environmental seal as well as EMI shielding is needed.

Features

- High-performance solution
- Very cost-efficient solution

* The red line is an indication of the conductive layer.

Partnumber	6521	6522	6523	6524
Available types	F, H	W, F, H	W, F, H	W, F, H
Clamping range	1-4 mm	1-4 mm	1-4 mm	1-2 mm
Core material	PVC	PVC	PVC	PVC
Partnumber	6525	6526	6527	6528
Available types	W, F, H	W, F, H	W, F, H	W, F, H
Clamping range	1-4 mm	1-4 mm	1-4 mm	1-2 mm
Core material	PVC	PVC	PVC	PVC
Partnumber	6529	6530	6531	6532
Available types	W, F, H	W, F, H	W, F, H	W, F, H
Clamping range	1-4 mm	1-4 mm	2-4 mm	2-4 mm
Core material	PVC	PVC	PVC	PVC

Clip-on gasket all shapes

Partnumber	6533	6534	6535	6536
Available types	W, F, H	W, F, H	W, F, H	W, F, H
Clamping range	2-4 mm	2-4 mm	2-4 mm	1-2 mm
Core material	PVC	PVC	PVC	PVC

Partnumber	6537	6538	6539
Available types	W, F, H	W, F, H	W, F, H
Clamping range	1 - 3,5 mm	1-4 mm	1-4 mm
Core material	PVC	PVC	PVC

Conductive edge protector

This is a very rigid profile, used to protect sharp edges from damaging and still preserve the electrical conductance. This type is also suitable for connecting two steel plates or for static discharge.

* The red line is an indication of the conductive layer.

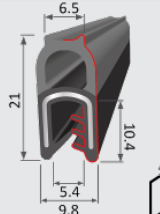

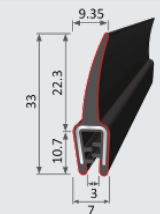
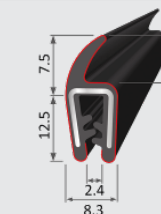
Partnumber	6540	6541	6542	6543
Available types	F, H	F, H	F, H	F, H
Clamping range	0,5 - 2 mm	2 - 5 mm	5 - 8 mm	1.2-1.8 mm
Core material	EPDM, 70 ± 5 shore A	EPDM, 70 ± 5 shore A	EPDM, 70 ± 5 shore A	EPDM, 70 ± 5 shore A

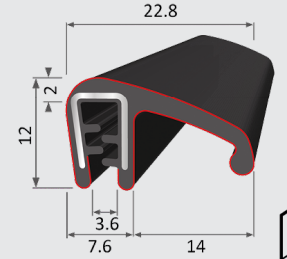
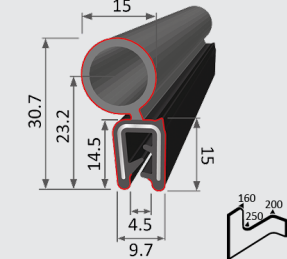
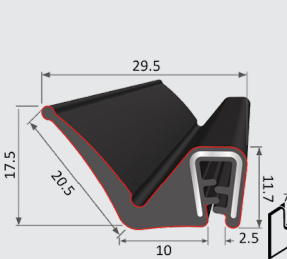
Dynamic section

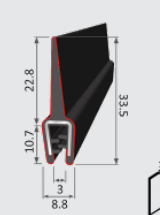
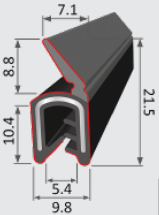
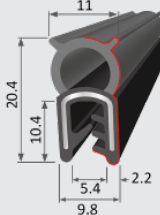
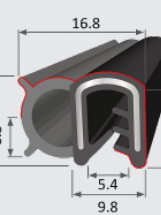
Simple clip-on installation for door jambs and similar needs, edge mounts, low and high deflection.

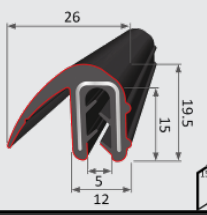
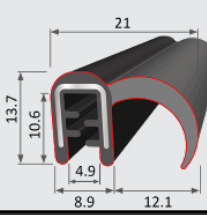
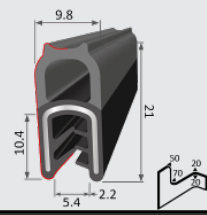
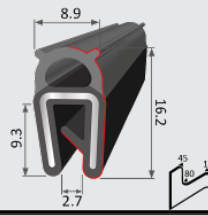
For applications where a small dynamic range is required and a clip-on mounting is preferred. Mounts simply by

Clip-on gasket all shapes

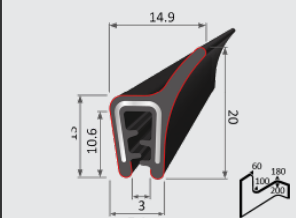
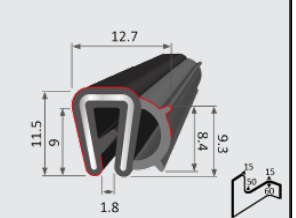
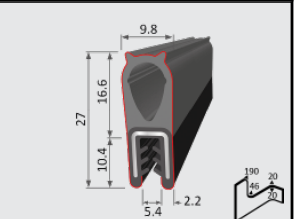
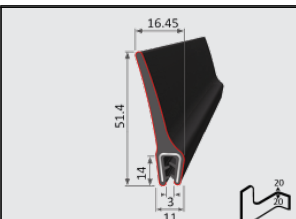
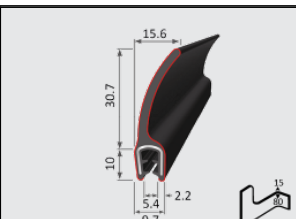
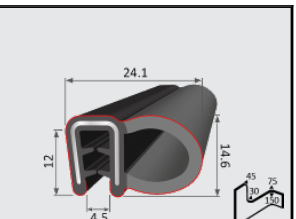
				
Partnumber	6551	6552	6553	6554
Available types	W, F, H	F, H	F, H	F, H
Clamping range	0,8 - 3 mm	1 - 3 mm	1 - 2 mm	1 - 2 mm
Core material	EPDM, 60 ± 5 shore	EPDM, 60 ± 5 shore	EPDM, 60 ± 5 shore	EPDM, 60 ± 5 shore

			
Partnumber	6556	6557	6558
Available types	F, H	F, H	F, H
Clamping range	1-3 mm	1-3 mm	1-3 mm
Core material	EPDM, 60 ± 5 shore	EPDM, 60 ± 5 shore	EPDM, 60 ± 5 shore

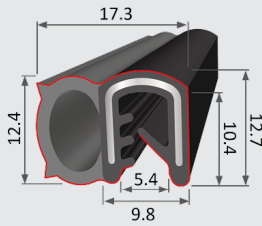
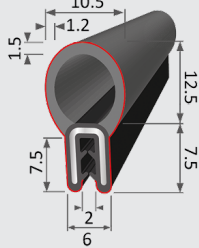
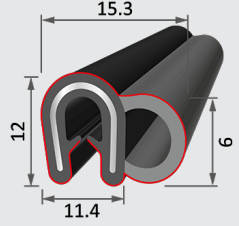
				
Partnumber	6559	6560	6561	6562
Available types	F, H	F, H	W, F, H	W, F, H
Clamping range	1-3 mm	1-3 mm	1-3 mm	1-3 mm
Core material	EPDM, 60 ± 5 shore	EPDM, 60 ± 5 shore	EPDM, 60 ± 5 shore	EPDM, 60 ± 5 shore

				
Partnumber	6563	6564	6565	6566
Available types	F, H	F, H	W, F, H	W, F, H
Clamping range	1-4 mm	1-4 mm	1-3mm	0.5-2 mm
Core material	EPDM, 60 ± 5 shore	EPDM, 60 ± 5 shore	EPDM, 60 ± 5 shore	EPDM, 60 ± 5 shore

Clip-on gasket all shapes

				
Partnumber	6567	6568	6569	6570
Available types	F, H	W, F, H	W, F, H	W, F, H
Clamping range	1-3 mm	3-5 mm	1-3 mm	6-8 mm
Core material	EPDM, 60 ± 5 shore	EPDM, 60 ± 5 shore	EPDM, 60 ± 5 shore	EPDM, 60 ± 5 shore
				
Partnumber	6571	6572	6573	6574
Available types	F, H	F, H	F, H	W, F, H
Clamping range	2.5-3.5 mm	1.5-3 mm	2-3 mm	1-3 mm
Core material	EPDM, 60 ± 5 shore	EPDM, 60 ± 5 shore	EPDM, 60 ± 5 shore	EPDM, 60 ± 5 shore
				
Partnumber	6575	6576	6577	6578
Available types	F, H	F, H	F, H	F, H
Clamping range	2-4 mm	2-4 mm	2-4 mm	2-4 mm
Core material	EPDM, 60 ± 5 shore	EPDM, 60 ± 5 shore	EPDM, 60 ± 5 shore	EPDM, 60 ± 5 shore
				
Partnumber	6579	6581	6582	6583
Available types	W, F, H	W, F, H	F, H	F, H
Clamping range	1-3 mm	1-2.5 mm	1-2 mm	1.5-3 mm
Core material	EPDM, 60 ± 5 shore	EPDM, 60 ± 5 shore	EPDM, 60 ± 5 shore	EPDM, 60 ± 5 shore

Clip-on gasket all shapes

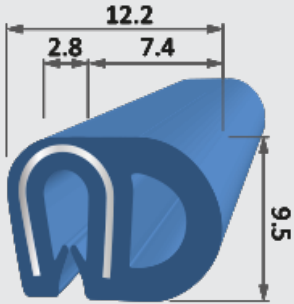
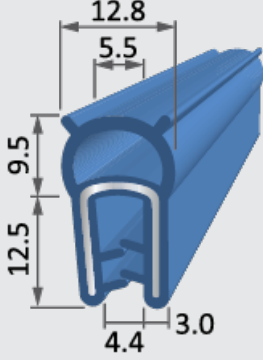
			
Partnumber	6586	6589	6591
Available types	W, F, H	F, H	F, H
Clamping range	1,5 - 3,5 mm	0.5 - 1.5 mm	0.5 - 2 mm
Core material	EPDM, 60 ± 5 shore	EPDM, 60 ± 5 shore	EPDM, 60 ± 5 shore

Silicone clamp section

Optional with stainless steel interior.

Braiding options possible with monel, stainless steel 316, tcs or aluminum on request.

The gasket comes with retaining lances to lock into the desired position.

				
Partnumber	6592	6593		
Available types	F	F		
Clamping range	1,5 - 2 mm	2 - 4 mm		
Material	Silicone, 55 ± 5 shore	Silicone, 60 ± 5 shore		

Part number	Type
Please specify the partnumber from the tables above	Select an option:
	W : Clip-on shielding gasket with water seal
	F : Fully wrapped clip-on EMI shielding gasket
	H : For heavy duty applications

* Note: The **red** blocks are required