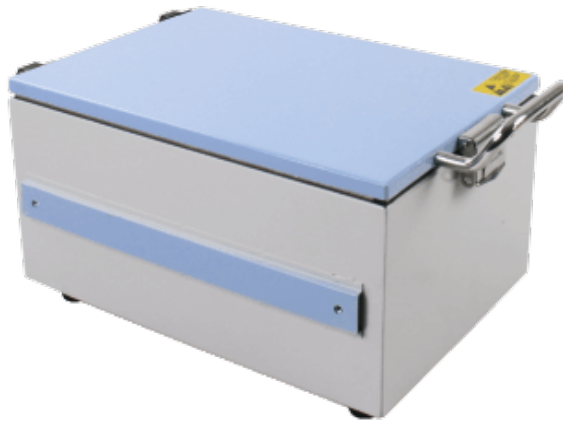


## Medium shielded experiment box



### Medium shielded experiment box

Medium shielded experiment box to block wireless communication during testing and measurements working size 224.6 (W) \* 320 (D) \* 162.3 (H)

### Medium shielded experiment box (224.6 x 320 x 162.3 mm)

- Audio frequency interface: N-SMA\*6
- Application: for Bluetooth, WiFi, 3G, wireless test
- Frequency: 0~6000 MHz.
- Working size (mm): 224.6 (W) \* 320 (D) \* 162.3 (H)

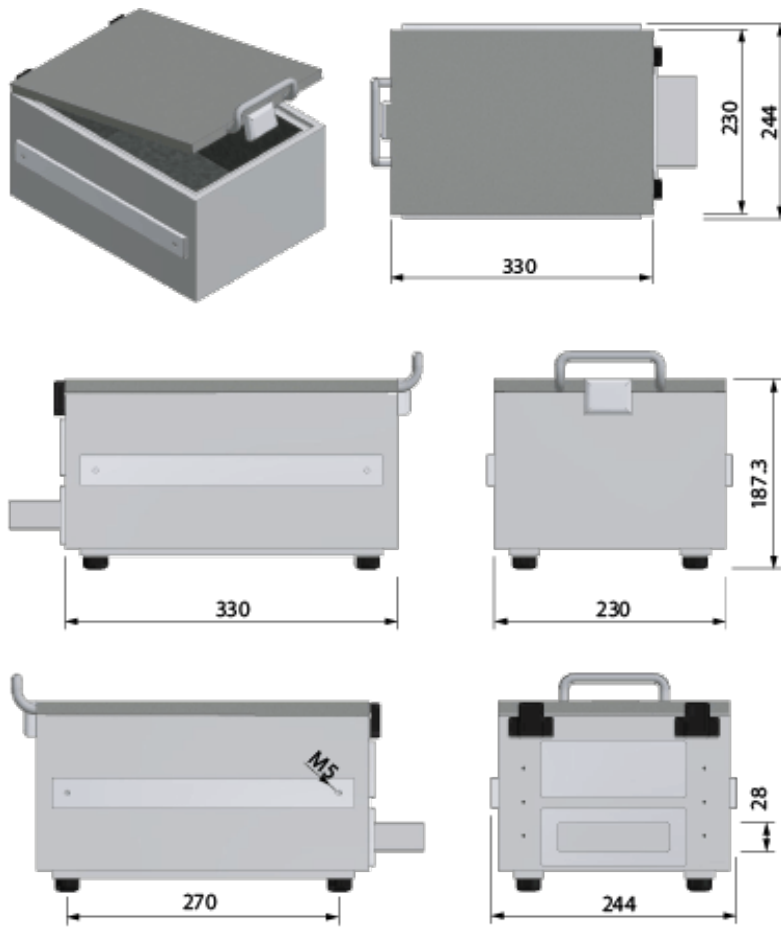
### Technical details

Shielding effect	≥70 dB @2.4 GHz ≥65 dB @5.8 GHz
Interface type	Type 2
Numbers of filters possible	2 pcs
Working temperature (°C)	(0-70)
Working Dimensions (mm)	224 (W) * 320 (D) * 162 (H)
Outer Dimensions (mm)	240 (W) * 389 (D) * 217 (H)
Weight (kg)	8 kg
* Notice: dimensions are indicative	

### Features

- High levels of shielding attenuation, greater than 70 dB
- Box can be equipped with shielded power filters
- Connection in the box while still blocking all wireless signals
- Easy & Flexible operation in Lab and production line.
- R&D, custom design
- Easy to transport

## Medium shielded experiment box



Part Number

**MPSB-23-32-16**