

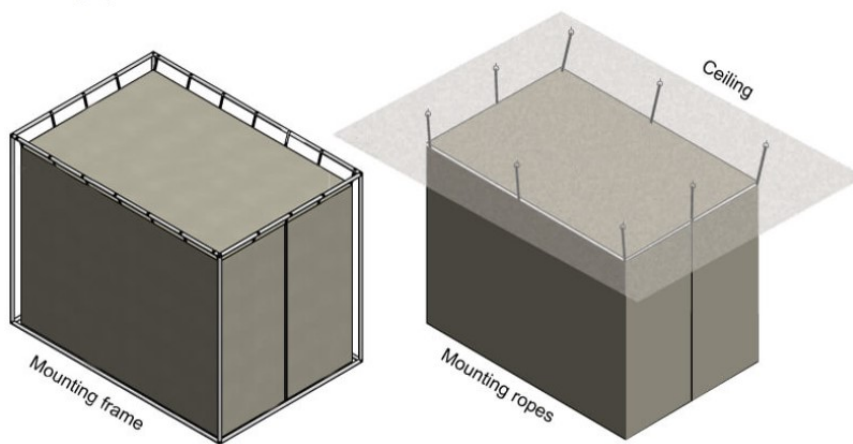
Build your own EMC tent

A) What's the size of the tent you want?

Length (m)	Wideness (m)	Highness (m)

B) Do you want with frame or just with mounting ropes?

Mounting options



I want with metal frame	I want only with mounting ropes

C) What's the frequency range you want the emc tent to work?

9 KHz	1 MHz	10 MHz	100 MHz	500 MHz	1 GHz	2 GHz	3 GHz	4 GHz	5 GHz	6 GHz	7 GHz	8 GHz	9 GHz	10 GHz	11 GHz	12 GHz	13 GHz	14 GHz	15 GHz	18 GHz	30 GHz

D) What's shielding effectiveness needed?

Between 40 – 50 dB	Between 60 – 80 dB	Between 70 – 90 dB

E) What's the door size you want on the tent?

Door Size 1	
Highness (cm)	Wideness (cm)

Door Size 2	
Highness (cm)	Wideness (cm)

Door Size 3	
Highness (cm)	Wideness (cm)

F) Do you want the floor to be made with Zinc coated panel for better grounding?

Yes I want it!	No, I want a portable solution so I do not want the zinc coated steel floor

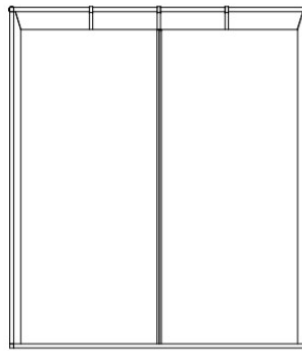
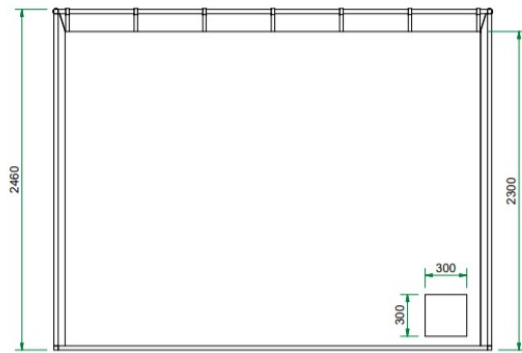
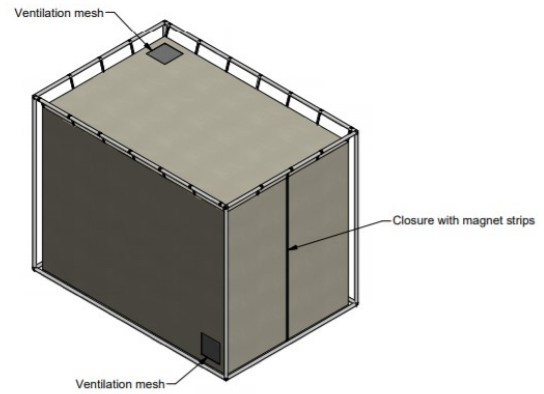
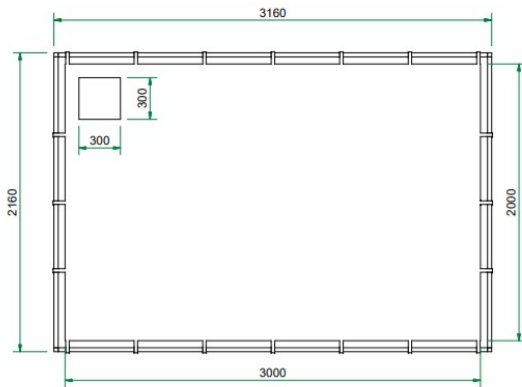
G) Accessories


The EMC tent comes as standard (included) with following accessories:

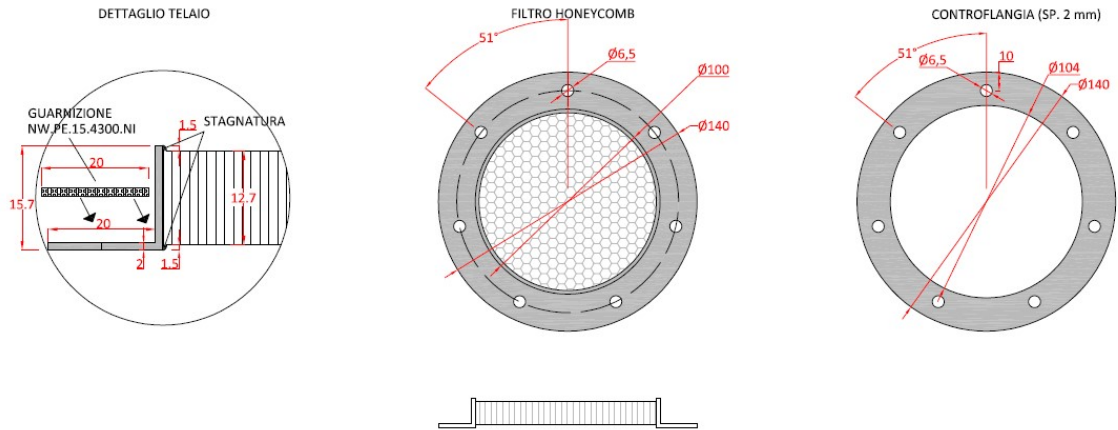
- 1 pc 230V 16A EMC filter with 3 Shucko plugs
- 1 pc Led lights or EMC free halogen lamp
- 1 pc EMC honeycomb 10cm for air ventilation (60.10026)

*OTHER ACCESSORIES CAN BE ADDED ON REQUEST
SOME OF THE POSSIBILITIES ARE OUTLINED BELOW.*

VENTILATION



	Code	Description	How many pieces?
	60.10026	10cm diameter round ventilation shielding honeycomb	

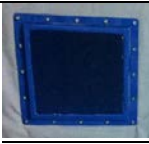


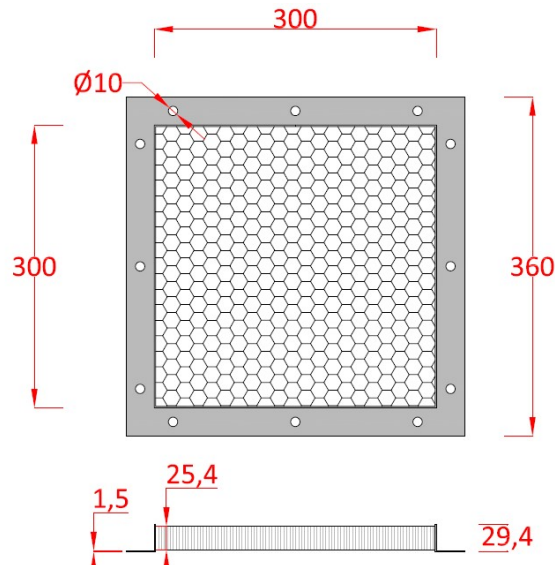
TOLLERANZE DIMENSIONALI


OLTRE (mm)	0	3	6	30	120	400	1000	2000
FINO A (mm)	3	6	30	120	400	1000	2000	4000
TOLLERANZA +/- (Classe c) Lavorazione Standard	0.2	0.3	0.5	0.8	1.2	2	3	4

NOTE PRODUTTIVE:

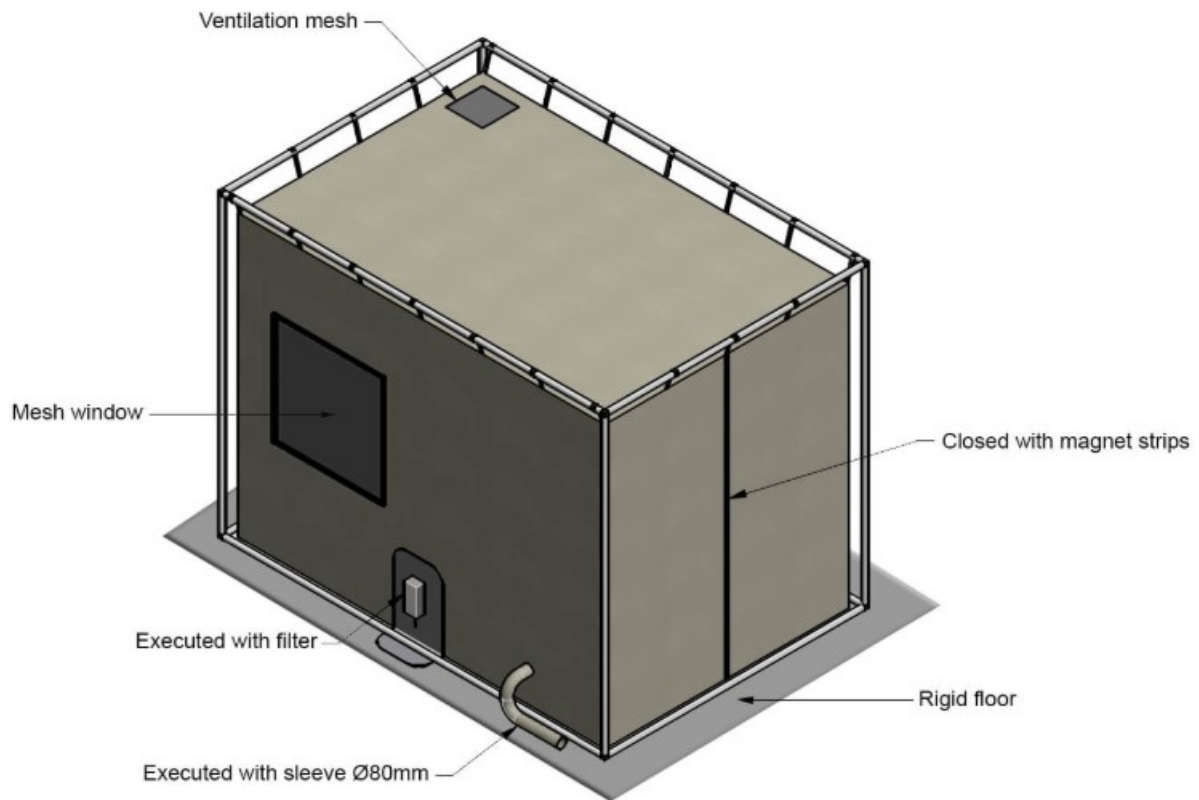
MATERIALE TELAIO: ACCIAIO INOX AISI 304
 MATERIALE PANNELLO ALVEOLARE: ACCIAIO
 DIMENSIONE CELLA : 3/16"

	Code	Description	How many pieces?
	60.10119	30cm x 30cm ventilation shielding honeycomb	



	Code	Description	How many pieces?
	60.10120	Air conditioning portable Max Power 10.700 Btu/h*	

EMC WINDOW



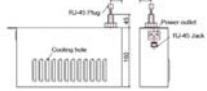
SOLIANI EMC can supply EMC metal mesh window please indicate number and size of each

Window Size 1	
Highness	Wideness

Window Size 2	
Highness	Wideness

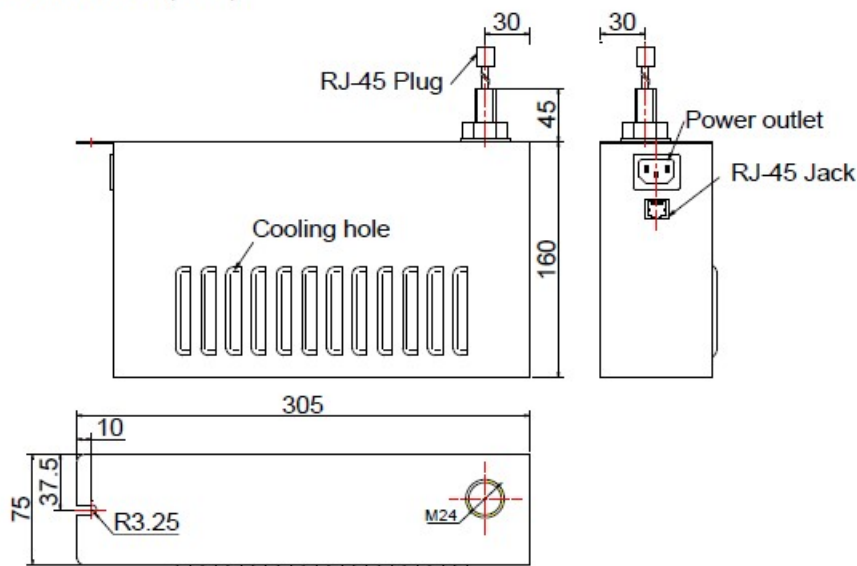
Window Size 3	
Highness	Wideness

EMC POWER LINES AND SIGNAL LINES

	Code	Description	How many pieces?
	70.10125	1000mB/s RJ45 port	

1. Type: SOLEMI-LAN1000

2. Dimensions: (mm)



3. Technical Data:

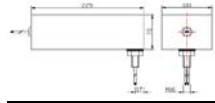
① Rated Voltage: 250VAC

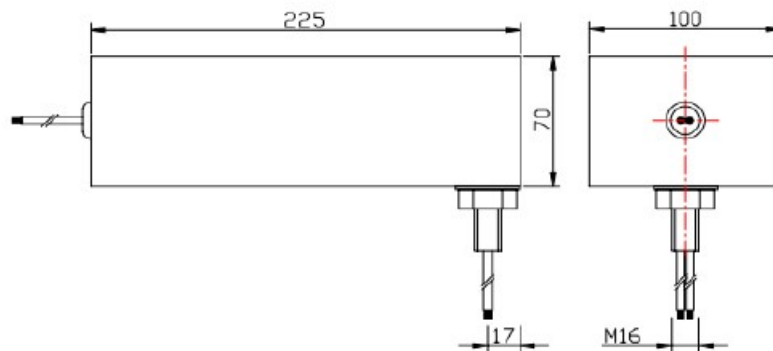
② Data Rate: 100/1000Mbps

③ Shielding Effectiveness: 100dB, 14KHz-10GHz

④ Climatic Category: 25/070/21

4. Accessory Parts: ① M24 Conduit Screw: 1pc ② Gasket24: 1pc
 ③ M24 Screw Nut: 1pc ④ EMI Gasket: 1pc
 ⑤ Certificate: 1pc

	Code	Description	How many pieces?
	70.10002	10-100mB/s RJ45 port + RJ11 port	

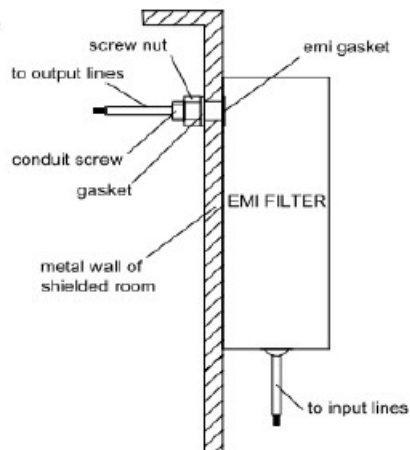


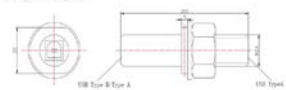
3. Technical Data:

- ① Rated Voltage: 250VDC ② Passband: 0-20KHz
- ③ Rated Current: 0.3A ④ Insertion Loss: 100dB, 100KHz-40GHz
- ⑤ Climatic Category: 25/085/21

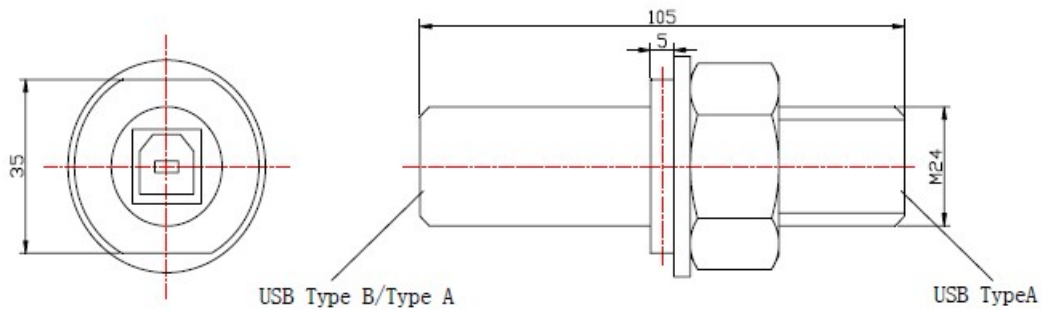
- ### 4. Accessory Parts:
- ① M16 Conduit Screw: 1pc ② Gasket 16: 1pc
 - ③ M16 Screw Nut: 1pc ④ EMI Gasket: 1pc
 - ⑤ Certificate: 1pc

5. Installation Sketch:



	Code	Description	How many pieces?
	70.10105	USB port	

2. Dimensions: (mm)

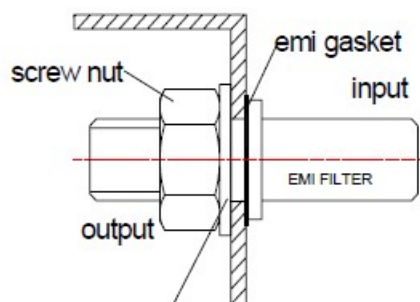


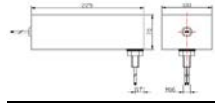
3. Technical Data:

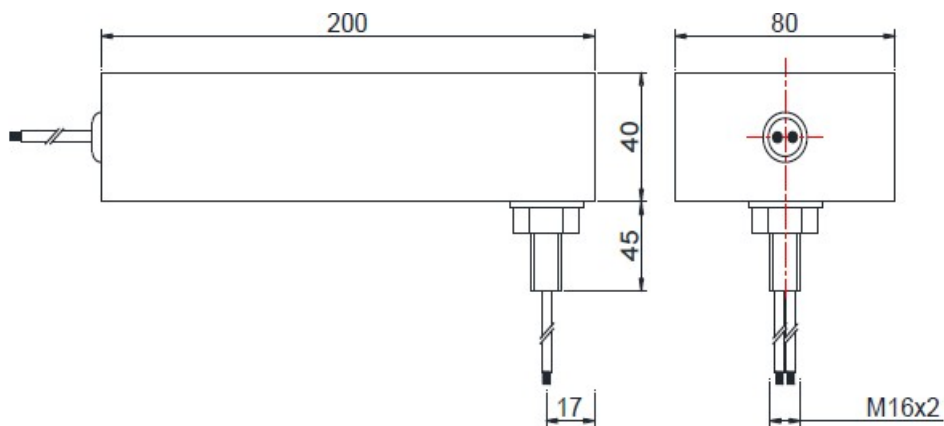
- ① Data Rate: USB2.0
- ② Shielding Effectiveness: 80dB, 14kHz-40GHz (Not Connected)
30dB, 14kHz-40GHz (Connected)
- ③ Climatic Category: 25/070/21

4. Accessory Parts: ① Gasket 24: 1pc ② M24 Screw Nut: 1pc
③ EMI Gasket: 1pc ④ Certificate: 1pc

5. Installation Sketch:



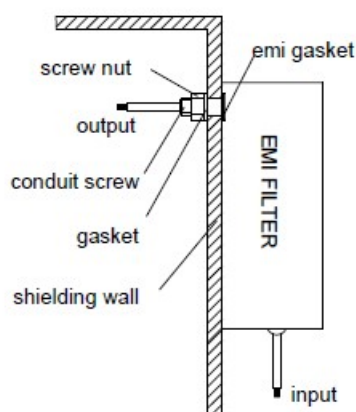
	Code	Description	How many pieces?
	70.10150	Fire alarm or general signal filter	




3. Dati tecnici:

- ① Rated Voltage: 100VDC
- ② Pass band: 0-6MHz
- ③ Corrente: 1A
- ④ Shielding Effectiveness: 100dB, 14kHz-40GHz
- ⑤ Categoria climatica: 25/070/21

4. Diagramma installazione:



SELF STANDING METAL DOOR

	Code	Description	How many pieces?
	96.00042	DOOR.850.1900.DT.EMC.	



FÜR IHRE FRAGEN STEHEN WIR GERNE ZUR VERFÜGUNG

Bemerkung/Notiz