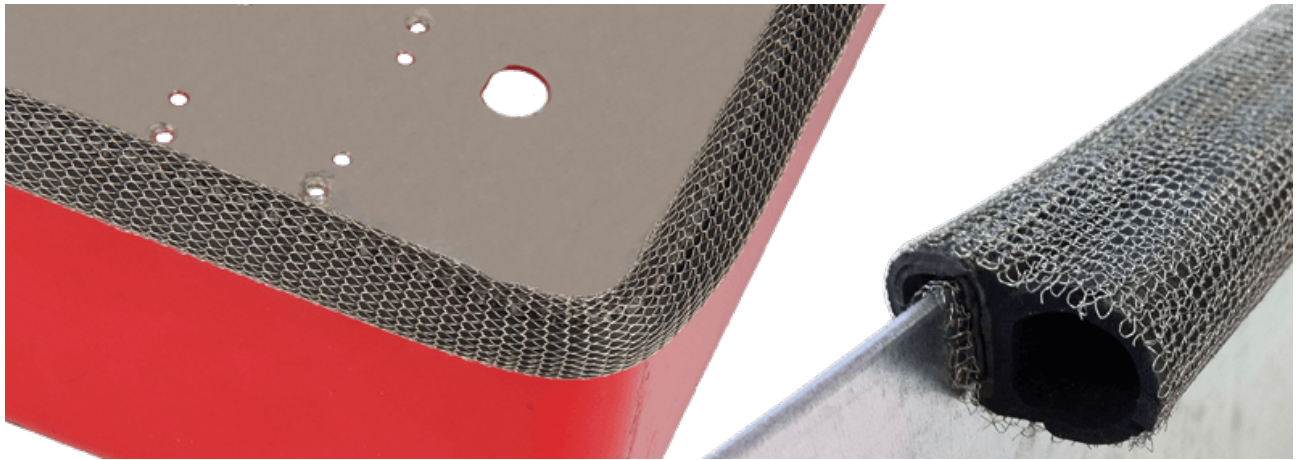


Clip-on EMI/RFI shielding gasket heavy-duty



Clip-on EMI shielding gasket heavy-duty 6600

Clip-on EMI shielding gaskets, specifically designed for heavy-duty applications

Clip-on EMI shielding gasket heavy-duty

The clip-on gasket heavy-duty is a flexible rubber tube with all-metal cladding. The large range of the clip makes it extremely easy to mount and it guarantees solid mechanical attachment of the EMI-shielding gasket without the use of adhesives.

The metal cladding is corrosion resistant and offers both excellent EMI shielding and electrical conductivity. The hollow rubber provides low closure force and good spring properties, making it ideal to use for EMI shielding, grounding and static discharge (ESD) or as an alternative for finger strips.

The clip-on gasket can bend up to 90 degrees and can be clipped on to plate material of between 0.5 and 3 mm thick. It can be delivered in continuous lengths or short, pre-cut sections.

Technical data

- Shielding effectiveness >100 dB (10 kHz - 22 GHz)
- Electrical resistance 0.004 Ohms / square cm
- Temp. range -40 to +100 °C
- Standard delivered in sections of 2 meters

Applications

- EMI / EMC shielding
- Static discharge (ESD) / grounding
- Electrical connections
- Doors / lids
- Medical / military
- General electronics

Advantages

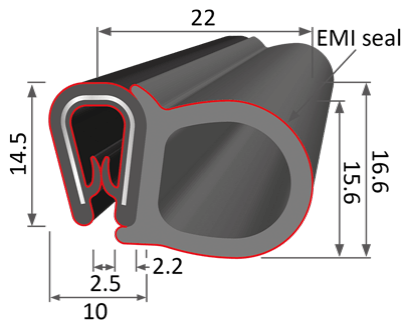
- Non toxic
- Continuous length (up to 10 meters)
- High spring / compression range
- Extremely high shielding performance
- Superb electrical conductivity
- Easy to mount

Cladding options

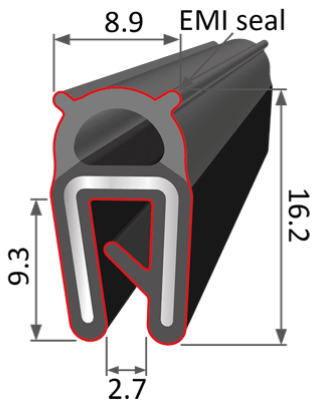
Clip-on EMI/RFI shielding gasket heavy-duty

- 4730 : Monel
- 4740 : Tinned copper steel (standard)
- 4750 : Stainless steel
- 4760 : Aluminium

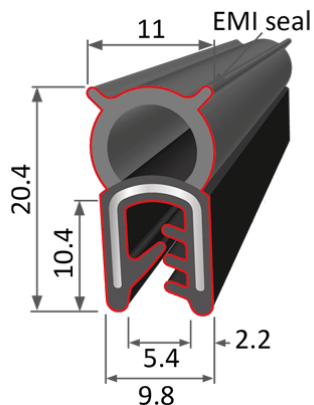
Standard shapes



Part number 6680 : Big side clip-on gasket

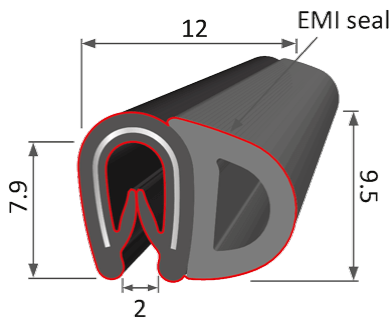


Part number 6685 : Small clip-on gasket



Part number 6690 : Big clip-on gasket

Clip-on EMI/RFI shielding gasket heavy-duty



Part number 6695 : Side clip-on gasket

Profile	Cladding	Length (m)
Select an option:	Select an option:	
6680 : Big side clip-on	4730 : Monel	Please specify the length in meters
6685 : Small clip-on shield	4740 : Tinned copper steel (standard)	
6690 : Big clip-on shield	4750 : Stainless steel	
6695 : Side clip-on shield	4760 : Aluminium	

* Note: The **red** blocks are required