

## Aluminium honeycomb fan shield with threaded holes



### Aluminium honeycomb fan shield with threaded holes 9535

Honeycomb fan shield ventilation panel with threaded holes for easy installation in e.g. computer cases to provide EMI shielding and maximum airflow without degrading the fan output.

A range of low-cost EMC vents for use with standard fan size fans. The aluminium honeycomb fan shield 9535 series is designed to provide EMI shielding and maximum airflow without degrading the fan output.

These vents provide a low-cost option to perforated metal when airflow rates are critical. An aluminium frame is fitted with one layer of 6.35, 12.7 or 25.3 mm thick honeycomb material and an optional Amucor conductive gasket to ground the honeycomb to the metalwork.

Holland Shielding Systems B.V. stocks aluminium Honeycomb Fan Shield in almost all sizes corresponding to industry-standard fans with standard 4-hole mounting (See table below for the standard sizes).

### Dust screen (on request)

Dust screens consisting of multilayer expanded aluminium can be added, but airflow will be restricted.

### Shielding performance

Shielding performance is achieved from 1/8 cell aluminium honeycomb panels with compressed edges mounted in a square-shaped flat Mu-ferro plate with a circular cut-out on the inside. The contact with the housing is made with an amucor shielding gasket cut into the correct shape of the Honeycomb fan shield.

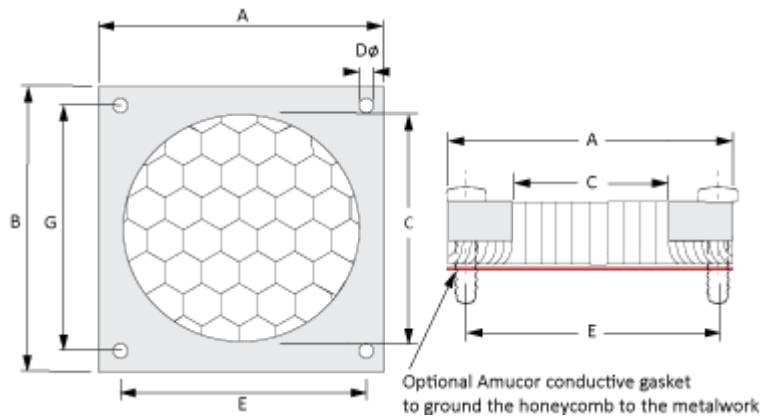
Performance below has been measured with honeycomb specifications 1/8 Cell size, 1/4 Thick.

Frequency	Field	Typical (dB)
200 kHz	H	53
100 MHz	E	102
500 MHz	P	85
2 GHz	P	74
10 GHz	P	58

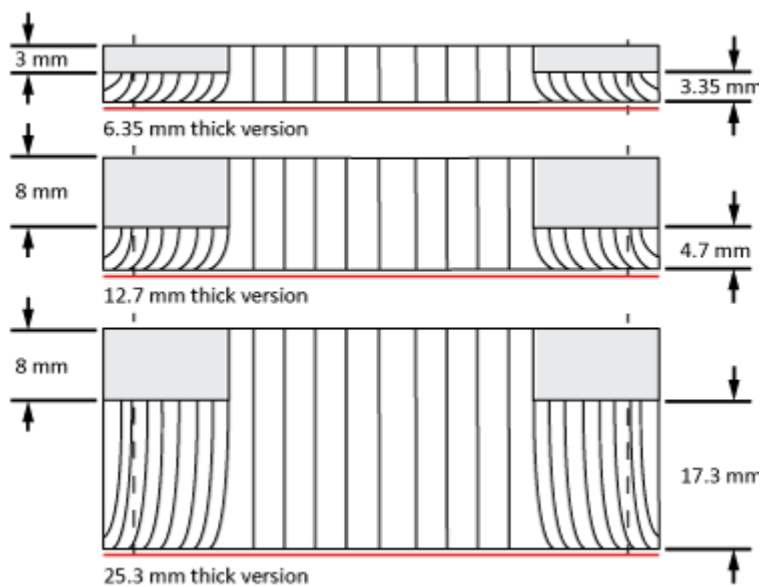
### Standard dimensions

In the table below some common types are specified to illustrate the required information. Threaded hole diameter is standard M3 but it can also be delivered in any other size.

## Aluminium honeycomb fan shield with threaded holes



### Material thickness



Part number	Outer dimension				Mounting holes horizontal		Mounting holes vertical	
	A	B	C	D	Nr	E	Nr	G
9535-40-40	40	40	31.5	M3	2	32	2	32
9535-50-50	50	50	41.2	M3	2	40	2	40
9535-60-60	60	60	53	M3	2	50	2	50
9535-70-70	70	70	60	M3	2	60	2	60
9535-80-80	80	80	70	M3	2	71.5	2	71.5
9535-90-90	90	90	80	M3	2	82.5	2	82.5
9535-120-120	120	120	105	M3	2	105	2	105
9535-140-140	140	140	125	M3	2	124.5	2	124.5
9535-200-200	200	200	185	M3	2	154	2	154
9535-220-220	220	220	205	M3	2	170	2	170

(Optional) other sizes on request

## Aluminium honeycomb fan shield with threaded holes

---

Series	Height (mm)	Width (mm)	Thickness (mm)	EMC gasket
9535	<input type="text"/> Specify the outer dimension in mm	<input type="text"/> This is the outer dimension in mm	<b>Select an option:</b> 6.35 : 6.35 mm thick honeycomb material 12.7 : 12.7 mm thick honeycomb material 26 : 26 mm thick honeycomb material	<b>Select an option:</b> No : No gasket A : Amucor gasket