

MPSB-70-70-70 Medium performance shielding box

Quick details

Audio frequency interface: N-SMA*2.
 Box body material: Aluminum alloy, the surface paint.
 Application: for bluetooth, wifi, 3G, wireless test.
 Frequency(GHz): 7003000MHZ.
 Work size(mm): 698(W)*686(D)*696(H).

Features

High levels of shielding attenuation, greater than 75dB.
 Box can be equipped with shielded power filters for power connection in the box while still blocking all wireless signals.
 Easy Flexible operation in Lab and production line.
 RD, custom design.

Technical details MPSB-70-70-70 specifications:

Working frequency(GHz)	0.86GHZ
Shielding effect	90 db @4GHz
Shielding effect	80 db @5.8GHz
Interface type	VGA,DB9,DB25,USB2.0,USB3.0,SMA,RJ45,BNC,RCA,DC,AC optional
Numbers of filters	4pcs
Working temperature(C)	(0-50)
Working Dimensions(mm)	700(W)*700(D)*700(H)
Outer Dimensions(mm)	878.5(W)*838(D)*907(H)
Weight(kg)	90



Medium performance shielded box
 MPSB-70-70-70 Front view

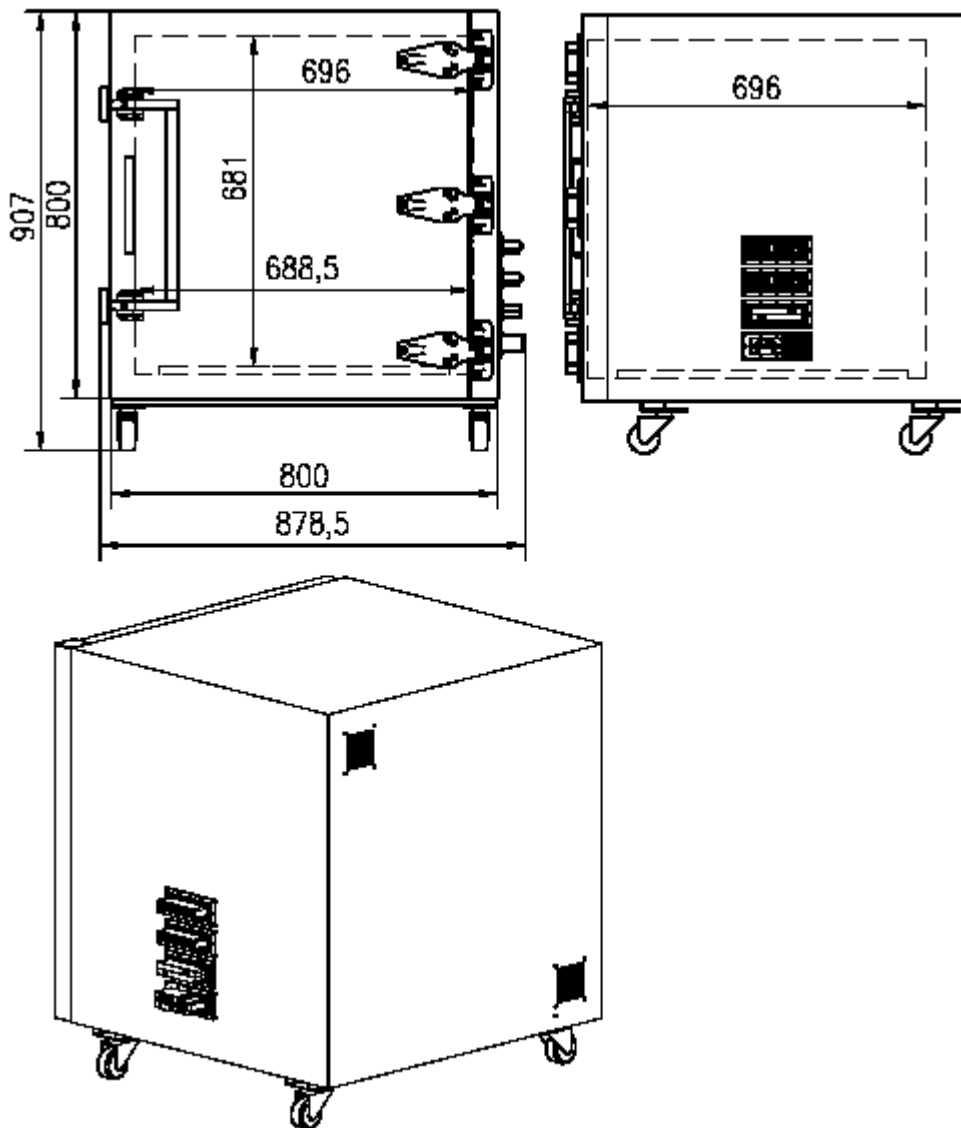


Medium performance shielded box
 MPSB-70-70-70 open view



Medium performance shielded box
 MPSB-70-70-70 back view

MPSB-70-70-70 Medium performance shielding box



MPSB-70-70-70 technical drawing

Partnumber / Ordercode:

MPSB-70-70-70