

BB02-CY :- 1.27mm (0.05") STRAIGHT SMD FEMALE HEADER, SINGLE ROW - 2 TO 40 CONTACTS, DUAL ENTRY

SPECIFICATIONS

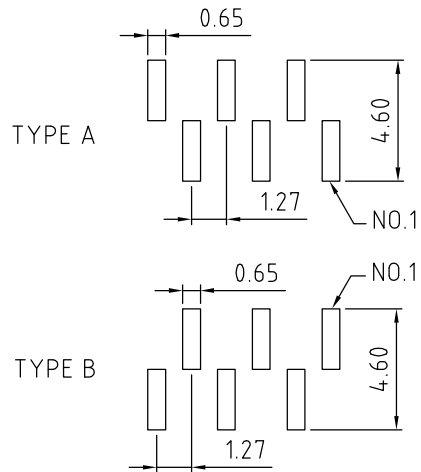
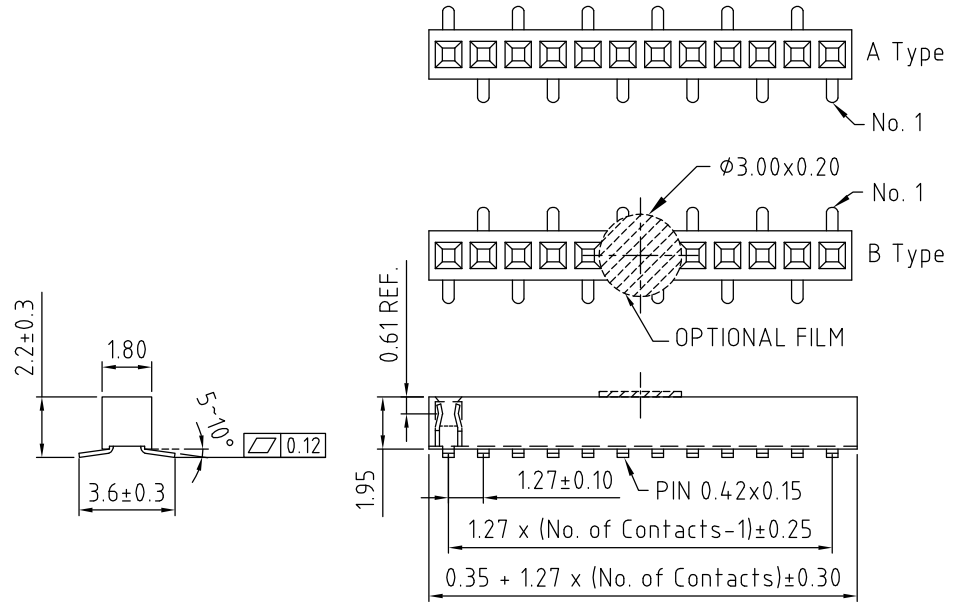
CURRENT RATING	1 AMP
INSULATOR RESISTANCE	1000 MEGOHMS MIN.
DIELECTRIC WITHSTANDING	300 V AC/DC
CONTACT RESISTANCE	20m OHMS MAX.
OPERATING TEMPERATURE	-40°C TO +105°C
CONTACT MATERIAL	PHOSPHOR BRONZE
INSULATOR MATERIAL	THERMOPLASTIC, UL 94V-0
	STANDARD: LCP + 30% G/F
PLATING	GOLD OR TIN OVER 30~50U" NICKEL
SOLDERABILITY	IR REFLOW: 280°C FOR 10 SEC
	MANUAL SOLDER: 380°C FOR 3-5 SEC

NOTES:

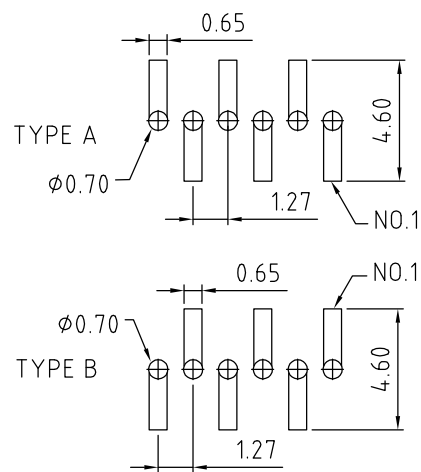
1. RECOMMENDED MATING PIN LENGTH FOR TOP ENTRY: 1.5MM. $\triangle \triangle$
2. PARTS WITH SMALL NUMBER OF CONTACTS MAY BE PACKED IN BOX INSTEAD OF TUBE.

MATES WITH: - (0.40MM SQUARE PINS)

- BB02-NA BB02-NC BB02-5B
- BB02-NB BB02-NS



RECOMMENDED PCB LAYOUT FOR TOP ENTRY (TOLERANCE: ± 0.05)



RECOMMENDED PCB LAYOUT FOR BOTTOM ENTRY (TOLERANCE: ± 0.05)

HOW TO ORDER



NO. OF CONTACTS:
02 TO 40

FOOTPRINT TYPE:
A = A TYPE
B = B TYPE

PACKAGING OPTIONS:
3 = TUBE
4 = TUBE & FILM (MIN. 4 PINS)
6 = TAPE & REEL
7 = TAPE & REEL & FILM (MIN. 4 PINS)
(See Note 2.)

CONTACT PLATING OPTIONS: \triangle
K = GOLD FLASH (STANDARD)
A = 10U" GOLD ON CONTACT/GOLD FLASH ON TAIL
B = 15U" GOLD ON CONTACT/GOLD FLASH ON TAIL
C = 30U" GOLD ON CONTACT/GOLD FLASH ON TAIL
T = BRIGHT TIN
M = MATT TIN

REV.	DATE & DRN
10	20/07/06 - NYW RELEASE
11	24/07/06 - NYW DRAWING MODIFICATION
12	09/05/07 - NYW ADD NOTES 1
13	16/07/07 - CHC REMOVE SELECTIVE GOLD CONTACT PLATING
14	05/05/08 - CHC ADD DIMENSIONAL SPECIFICATION AND MODIFICATION
15	29/07/08 - CHC AMEND MATING PART
16	20/08/09 - CHC AMEND NOTES 1
17	25/08/11 - NYW AMEND FILM DRAWING
18	02/09/11 - NYW AMEND INSULATOR MATERIAL
19	26/02/13 - NYW ADD NOTE 2
20	17/02/16 - NYW ADD NOTES TO FILM PACKAGING OPTIONS

Scale:	5:1	THIRD ANGLE	Unstated Tolerances: X ± 0.30 X ± 0.25 XX ± 0.15 XXX ± 0.10	Material	SEE NOTE
Drawn:	CHC				
App'd:	XXXX	Title	SOCKET		NOT TO SCALE
Date:	17 FEB. '16	Revision:	2.0	UNIT:	mm



Type:	BB02-CY
Drawing Number:	BB02-CY
Sheet	1 of 1
Drawing	© E and OE